

# **FISHER & PAYKEL**

## **REFRIGERATOR FREEZER**

---

**RF540ADUX5 FP GB**

**PRODUCT CODE: 25984-B**

**PARTS MANUAL**

**GB IE**

# INTRODUCTION

---

<b>BRAND</b>	<b>VOLTAGE</b>	<b>MODEL</b>	<b>PRODUCT CODE</b>
Fisher & Paykel	220-240V 50Hz	RF540ADUX5 FP GB	25984-B

---

## MODELS

The models covered by this manual are listed on the front cover. The information detailed in this manual is subject to change without notice. The latest version is indicated by the reprint date and replaces any earlier editions.

## KIT PARTS

Where a part number is shown against the descriptions for kit components, they are also available as separate items. In addition, some parts may be supplied with these kits that are not available as separate items, and are therefore either not listed, or a part number is not shown against the part description in this manual.

## PARTS LIST KEY

<b>NI</b>	As a part reference, indicates the part is not illustrated on the diagram.
<b>NOT USED</b>	As a part number, indicates the diagram part reference is not used in this manual.
<b>NS</b>	As a part number, indicates the part is not servicable.

---

# CONTENTS

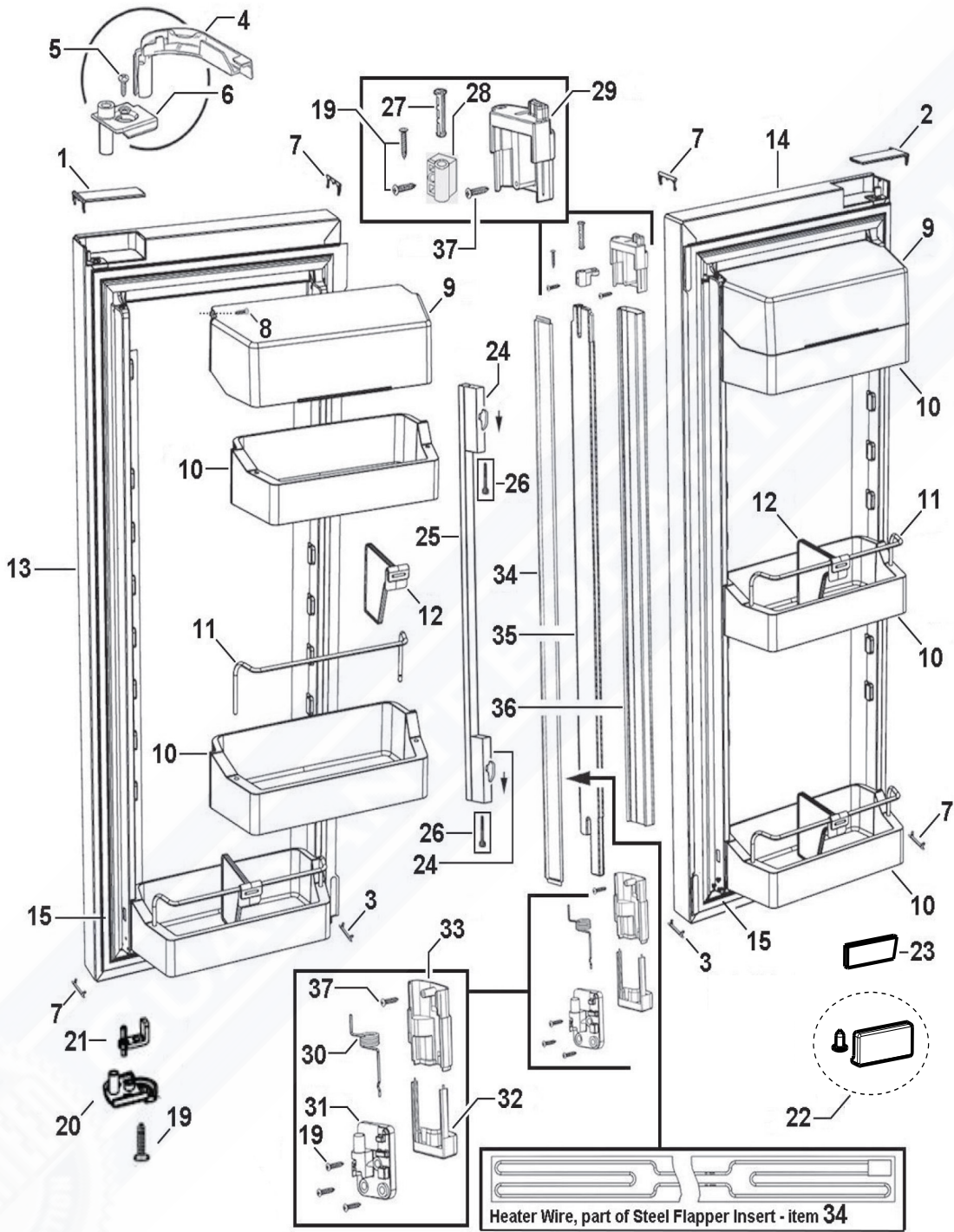
---

INTRODUCTION	1
PC DOOR COMPONENTS	3
WATER DISPENSER HOUSING & DISPLAY MODULE COMPONENTS	7
FC DRAWER COMPONENTS	9
CABINET INTERIOR & EXTERIOR COMPONENTS	11
SHELF COMPONENTS	17
ICE MAKER & ICE BIN COMPONENTS	19
FAN, COVER & EVAPORATOR COMPONENTS	21
WATER TANK & DUCT COVER COMPONENTS	23
TERMINAL, PLUGS & SOCKETS	25
COMPRESSOR & CONTROL MODULE COMPONENTS	27



GUARANTEED PARTS.COM

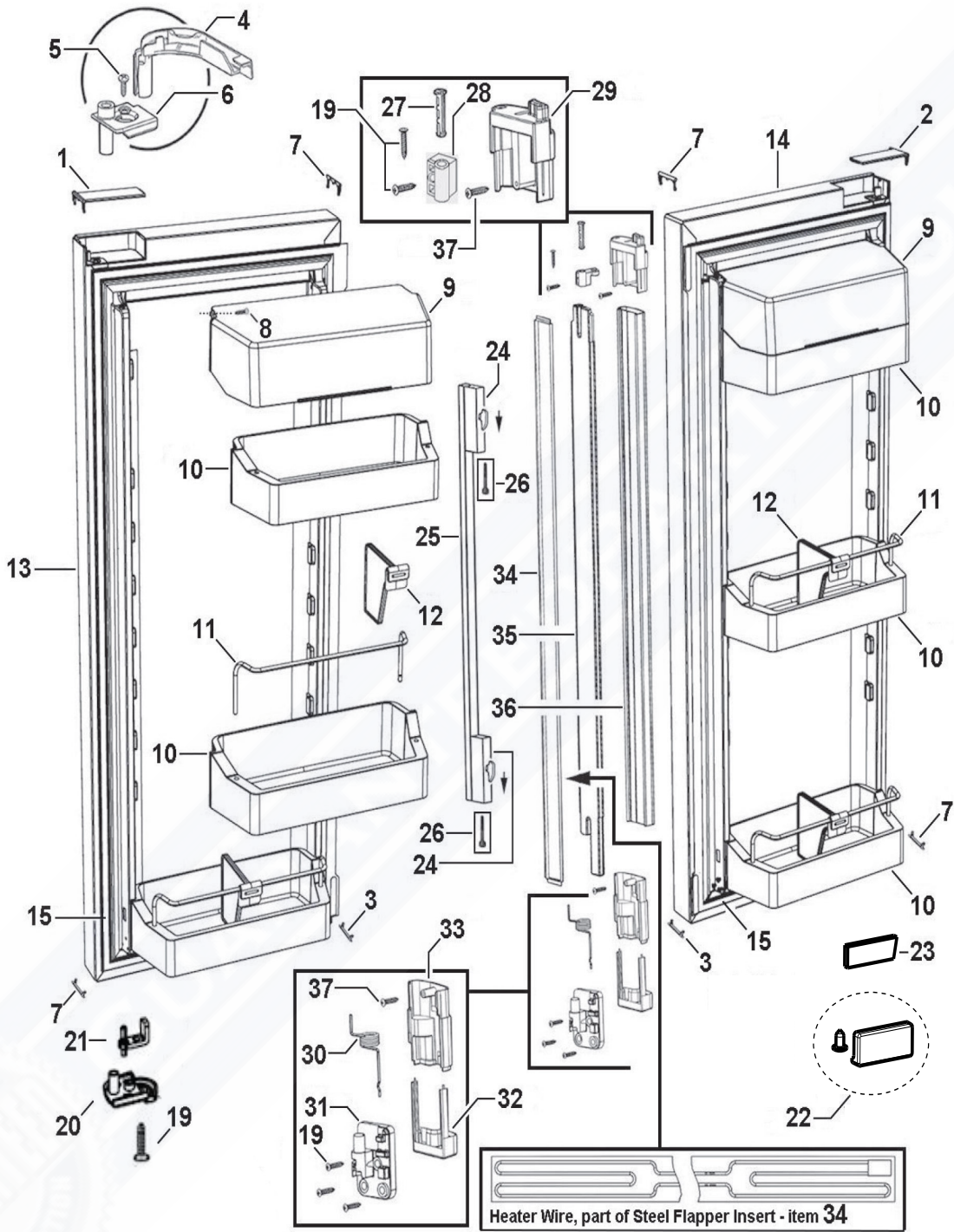
# PC DOOR COMPONENTS



## PC DOOR COMPONENTS

REFERENCE	PART NUMBER	PART DESCRIPTION
<b>1</b>	<b>865538</b>	<b>TRIM DOOR CORNER KIT MSX2</b>
	Includes	TRIM CORNER DOOR FLAT SX2 (8)
	Includes	COVER DOOR HINGE RH SX2
	Includes	COVER DOOR HINGE LH SX2
	Includes	TRIM DOOR DESIGNER SX2 (4)
<b>2</b>	<b>Refer item #1</b>	<b>AVAILABLE IN KIT</b>
<b>3</b>	<b>Refer item #1</b>	<b>AVAILABLE IN KIT</b>
<b>4</b>	<b>820715</b>	<b>GUIDE TUBE DOOR RH</b>
	<b>820862</b>	<b>GUIDE TUBE DOOR LH</b>
<b>5</b>	<b>836948P</b>	<b>SCREW 6X1/2 PAN PH SS (PKT 10)</b>
<b>6</b>	<b>820845</b>	<b>BEARING HINGE WATER RH</b>
	<b>820958</b>	<b>BEARING HINGE WATER LH</b>
<b>7</b>	<b>Refer item #1</b>	<b>AVAILABLE IN KIT</b>
<b>8</b>	<b>876281P</b>	<b>PLUG DOOR SHELF WHITE (PKT 2)</b>
<b>9</b>	<b>837036</b>	<b>COVER DAIRY 900</b>
<b>10</b>	<b>836993</b>	<b>SHELF DOOR 900</b>
<b>11</b>	<b>818860</b>	<b>RAIL BOTTLE SUPPORT 900</b>
<b>12</b>	<b>837079</b>	<b>DIVIDER BOTTLE 900</b>
<b>13</b>	<b>866321P</b>	<b>DR PC 445X1130 FU4A SX2 RH HSW</b>
	Includes 819036P	GASKET ASSY 900 PC 430X1073 LTGY
	Includes	TRIM CORNER DOOR FLAT SX2
	Includes	TRIM DOOR DESIGNER SX2
	Includes	COVER DOOR HINGE RH SX2
	Includes 820845	BEARING HINGE WATER RH
	Includes 864794P	COVER MAGNET DOOR GR
	Includes 864803	MAGNET HALL SW 10X30
<b>14</b>	<b>866323P</b>	<b>DR PC 445X1130 FA SX2 LH HSW</b>
	Includes 819036P	GASKET ASSY 900 PC 430X1073 LTGY
	Includes	TRIM CORNER DOOR FLAT SX2
	Includes	TRIM DOOR DESIGNER SX2
	Includes	COVER DOOR HINGE LH SX2
	Includes 820958	BEARING HINGE WATER LH
	Includes 864794P	COVER MAGNET DOOR GR
	Includes 864803	MAGNET HALL SW 10X30
<b>15</b>	<b>819036P</b>	<b>GASKET ASSY 900 PC 430X1073 LTGY</b>
<b>19</b>	<b>817825P</b>	<b>SCREW 8X22 WAFER PHIL ST TV (PKT 10)</b>

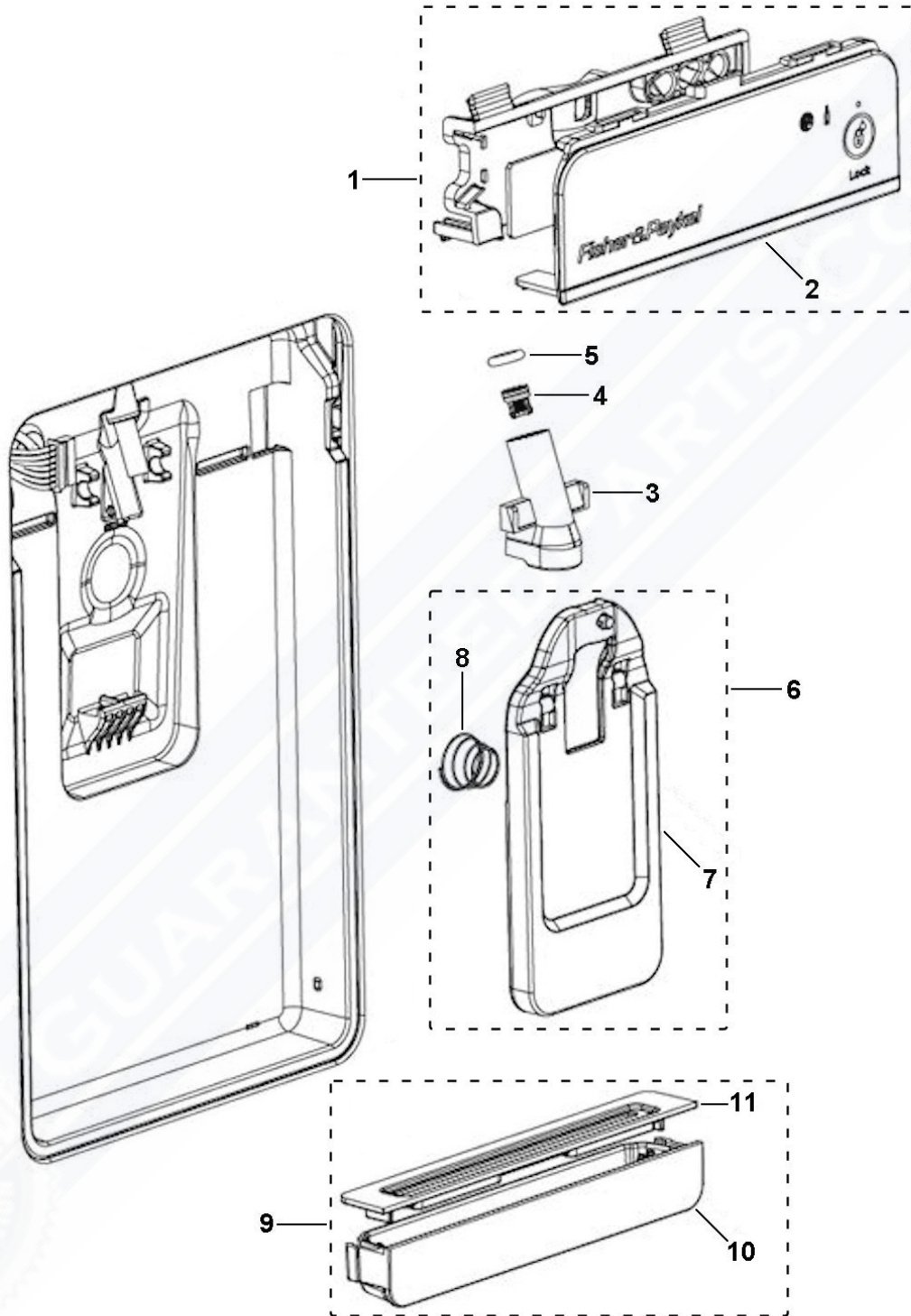
# PC DOOR COMPONENTS



## PC DOOR COMPONENTS

REFERENCE	PART NUMBER	PART DESCRIPTION
20	819650	CLOSING HOOK DOOR STOP GR RH
	819651	CLOSING HOOK DOOR STOP GR LH
21	814537	DOOR STOP ASSEMBLY
22	864794P	COVER MAGNET DOOR GR
	includes	SCREW ST 8X5/16 TAB MTS PH NP
23	864803	MAGNET HALL SW 10X30
24	860795P	BOSS HANDLE FLAT PKD
25	820584	HANDLE D3 642 RF ASSY BRUSHED
	Includes 819646	SCREW M5X40 CAP (2)
26	819646P	SCREW M5X40 CAP (PKT 10)
27	837014	PIN FLAPPER TOP
28	837039	HINGE FLAPPER TOP
29	837013	ENDCAP FLAPPER TOP
30	837048	SPRING FLAPPER
31	837049	HINGE FLAPPER BOTTOM
32	837050	CAP FLAPPER BOTTOM
33	837038	ENDCAP FLAPPER BOTTOM
34	838291P	INSERT STEEL FLAPPER & HEATER 8W
35	837042	INSULATION FLAPPER
36	837015	BODY FLAPPER 900
37	611933P	SCREW 8X5/8 TA MTS PH H5 ZN (PKT 10)

# WATER DISPENSER HOUSING & DISPLAY MODULE COMPONENTS



DWG002946 MARCH 2013

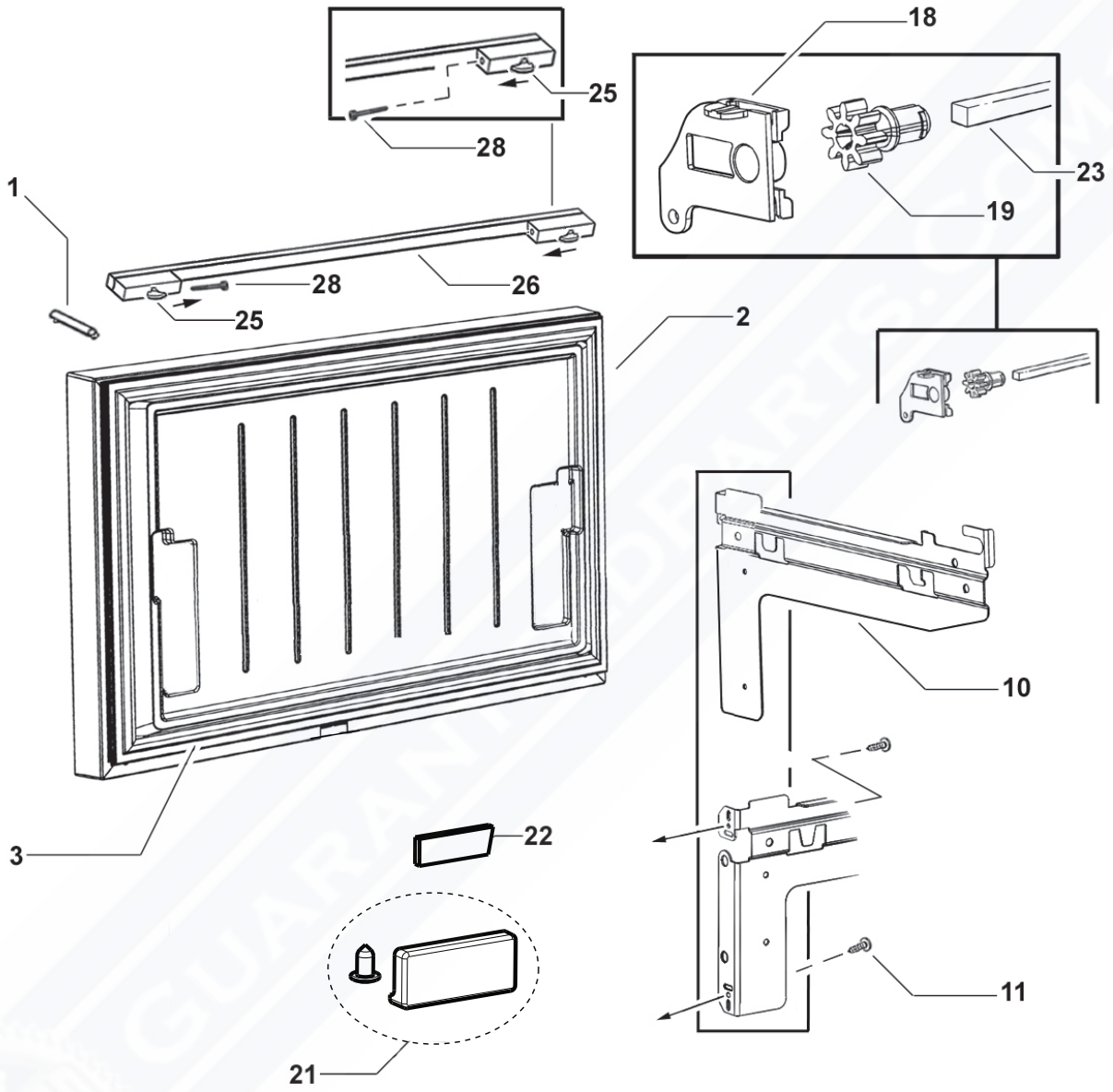
DWG 002946



# WATER DISPENSER HOUSING & DISPLAY MODULE COMPONENTS

REFERENCE	PART NUMBER	PART DESCRIPTION
<b>1</b>	<b>821509P</b>	<b>MOD DISP AS U2 EXT SVC</b>
	Includes 821293	FASICA IML WATER DISPENSER
<b>2</b>	<b>821293</b>	<b>FASICA IML WATER DISPENSER</b>
<b>3</b>	<b>838115</b>	<b>SPIGOT ASSY WATER DISPENSER</b>
	Includes 837391	CHECK VALVE SPIGOT WATER
	Includes 837390	ORING SPIGOT WATER DISPENSER
<b>4</b>	<b>837391</b>	<b>CHECK VALVE SPIGOT WATER</b>
<b>5</b>	<b>837390</b>	<b>ORING SPIGOT WATER DISPENSER</b>
<b>6</b>	<b>838114</b>	<b>LEVER ASSY WATER DISPENSER</b>
	Includes 821579	LEVER WATER DISPENSER
	Includes 821883	SPRING LEVER WATER DISPENSER
<b>7</b>	<b>821579</b>	<b>LEVER WATER DISPENSER</b>
<b>8</b>	<b>821883</b>	<b>SPRING LEVER WATER DISPENSER</b>
<b>9</b>	<b>838113</b>	<b>TRAY DRIP ASSY WATER DISPENSER</b>
	Includes 821582	DRIP TRAY CONTAINER
	Includes 821583	DRIP TRAY LID
<b>10</b>	<b>821582</b>	<b>DRIP TRAY CONTAINER</b>
<b>11</b>	<b>821583</b>	<b>DRIP TRAY LID</b>

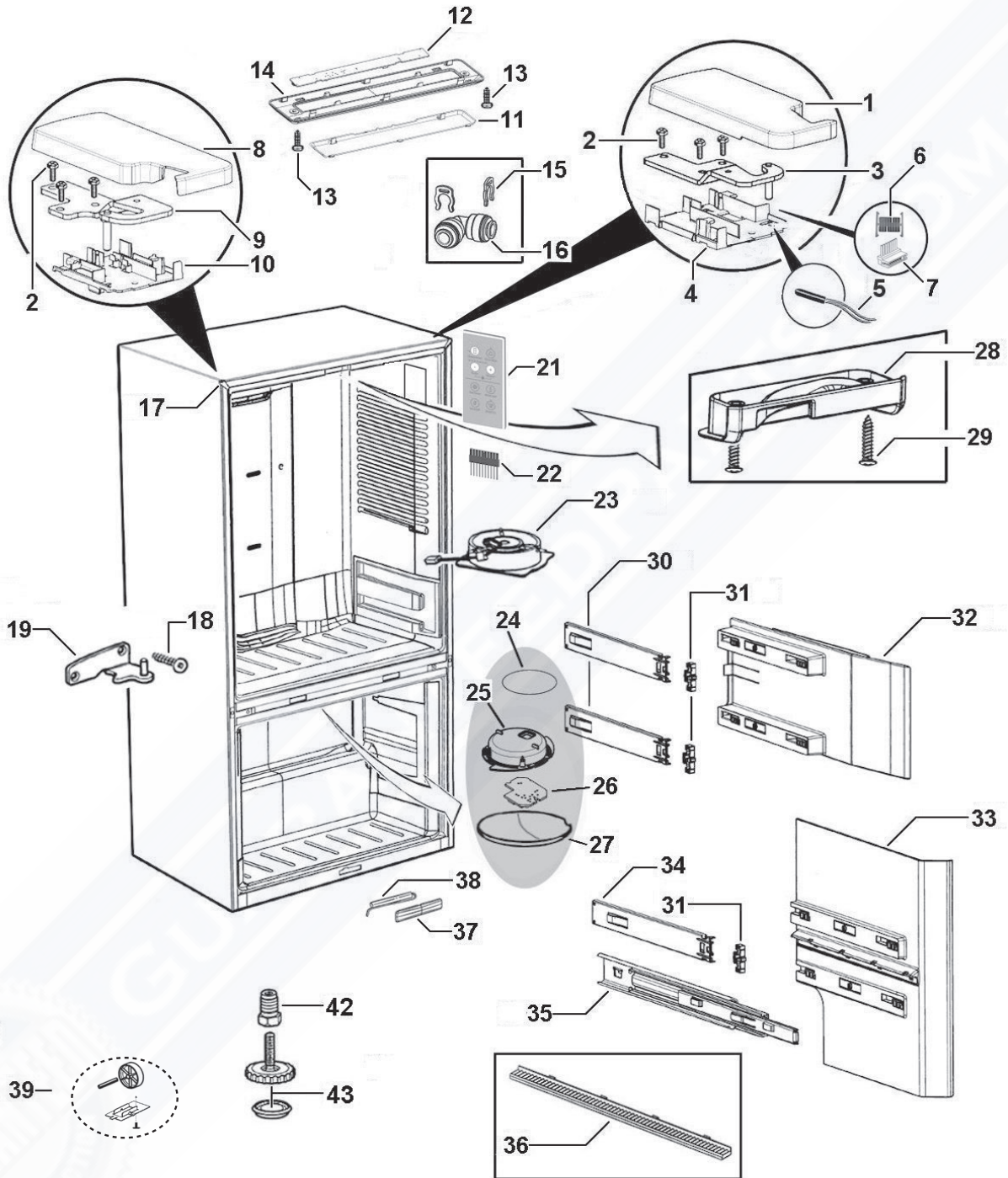
# FC DRAWER COMPONENTS



## FC DRAWER COMPONENTS

REFERENCE	PART NUMBER	PART DESCRIPTION
<b>1</b>	<b>865538</b>	<b>TRIM DOOR CORNER KIT MSX2</b>
	Includes	TRIM CORNER DOOR FLAT SX2 (8)
	Includes	COVER DOOR HINGE RH SX2
	Includes	COVER DOOR HINGE LH SX2
	Includes	TRIM DOOR DESIGNER SX2 (4)
<b>2</b>	<b>866324P</b>	<b>DRAWER FC 900X610 F SX2 HSW</b>
	Includes 864794P	COVER MAGNET DOOR GR
	Includes 864803	MAGNET HALL SW 10X30
	Includes	TRIM CORNER DOOR FLAT SX2
	Includes 819831P	GASKET ASSY E610 FC
<b>3</b>	<b>819831P</b>	<b>GASKET FRAME E610 FC</b>
<b>10</b>	<b>837233</b>	<b>BRACKET DOOR FC RH</b>
	<b>837234</b>	<b>BRACKET DOOR FC LH</b>
<b>11</b>	<b>817825P</b>	<b>SCREW 8X22 WAFER PH ST TV (PKT 10)</b>
<b>18</b>	<b>837010</b>	<b>BRACKET MOUNT PINION FC RH</b>
	<b>837011</b>	<b>BRACKET MOUNT PINION FC LH</b>
<b>19</b>	<b>838502P</b>	<b>PINION ANTIRACK FC (2)</b>
<b>21</b>	<b>864794P</b>	<b>COVER MAGNET DOOR GR</b>
	includes	SCREW ST 8X5/16 TAB MTS PH NP
<b>22</b>	<b>864803</b>	<b>MAGNET HALL SW 10X30</b>
<b>23</b>	<b>837002</b>	<b>BAR ANTI RACKING 900 FC</b>
<b>25</b>	<b>860795P</b>	<b>BOSS HANDLE FLAT PKD</b>
<b>26</b>	<b>820585</b>	<b>HANDLE D3 820 RF ASSY BRUSHED</b>
	Includes	SCREW M5X40 CAP (2)
<b>28</b>	<b>819646P</b>	<b>SCREW M5X40 CAP (PKT 10)</b>

# CABINET INTERIOR & EXTERIOR COMPONENTS

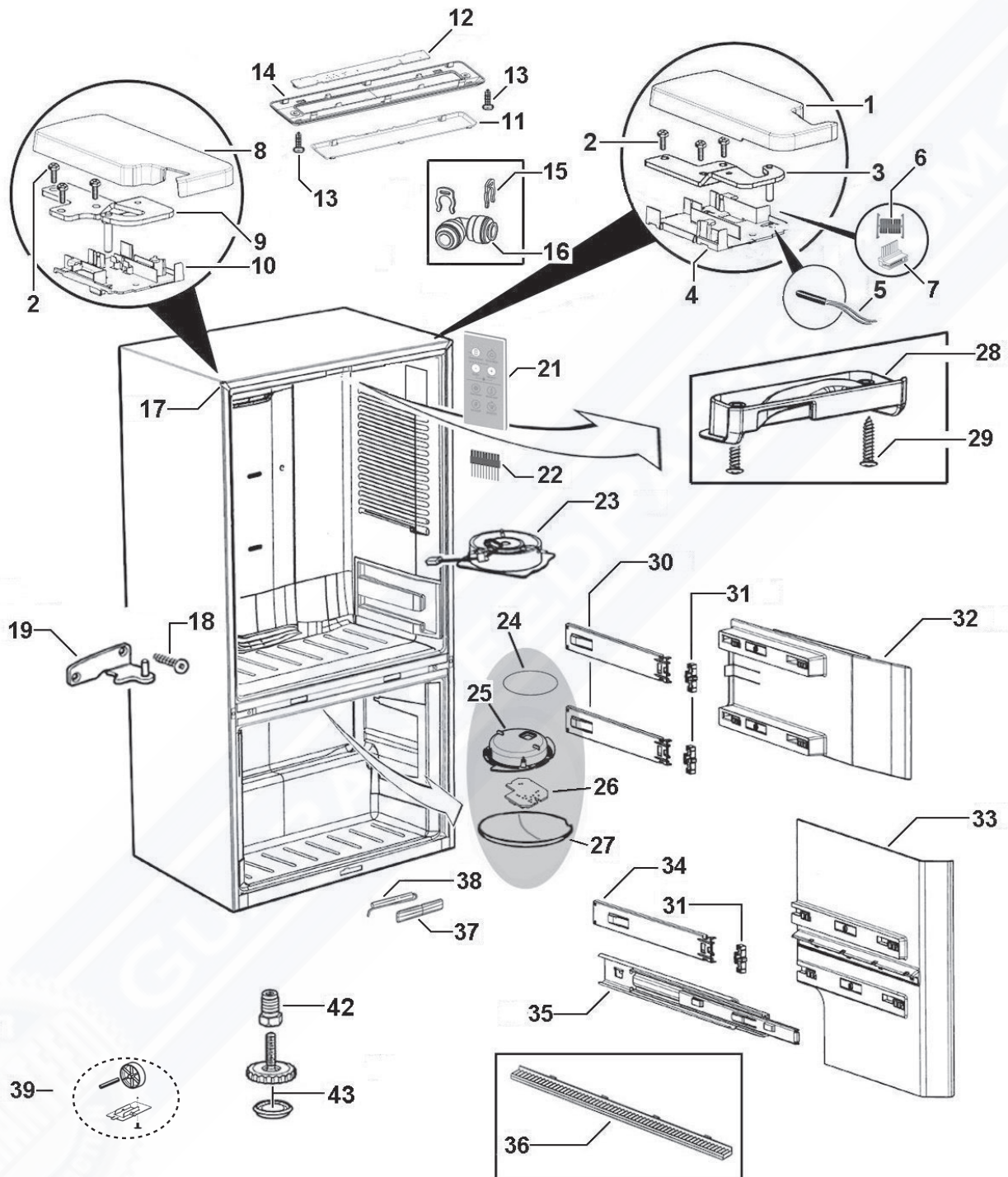


DWG004558

## CABINET INTERIOR & EXTERIOR COMPONENTS

REFERENCE	PART NUMBER	PART DESCRIPTION
<b>1</b>	<b>846778P</b>	COVER HINGE LOW NIW GRY R
<b>2</b>	<b>817818P</b>	SCREW M5X20 HEX PH ST TV (PKT 10)
<b>3</b>	<b>820717</b>	BRACKET HINGE IW RH
<b>4</b>	<b>846774P</b>	SUPPORT HINGE LOW NIW
<b>NI</b>	<b>847437</b>	KIT COVER HINGE LOW GRY RH
	Includes 846778P	COVER HINGE LOW NIW GRY R
	Includes 846774P	SUPPORT HINGE LOW NIW
<b>5</b>	<b>855203P</b>	SENSOR KIT ASSY
	Includes	CONNECTOR BUTT
	Includes	HARNESS SENSOR PC
<b>6</b>	<b>821917</b>	CONNECTOR PCB RAST 8 WAY
<b>7</b>	<b>873279</b>	CONNECTOR RAST 7234-008-500
<b>8</b>	<b>846779P</b>	COVER HINGE LOW NIW GRY L
<b>9</b>	<b>820863</b>	BRACKET HINGE I&W LH
<b>10</b>	<b>846774P</b>	SUPPORT HINGE LOW NIW
<b>NI</b>	<b>847438</b>	KIT COVER HINGE LOW GRY LH
	Includes 846779P	COVER HINGE LOW NIW GRY L
	Includes 846774P	SUPPORT HINGE LOW NIW
<b>11</b>	<b>820737</b>	WINDOW LED PC
<b>12</b>	<b>838548</b>	MOD LAMP 3 LED 3W CONN
	Includes 820736	HOUSING FRONT LED PC
<b>13</b>	<b>817816P</b>	SCREW 6 X12 AB TRUSS PH ST TV
<b>14</b>	<b>820736</b>	HOUSING FRONT LED PC
<b>15</b>	<b>837193P</b>	COLLET LOCKING CLIP PIC1808R (PKT 2)
<b>16</b>	<b>837192</b>	CONNECTOR WATER ELBOW C 0308W
<b>17</b>	<b>883951</b>	TRIM CORNER SILVER RECESSED
<b>18</b>	<b>880656P</b>	SCREW 10GX25CSK SQ SS (PKT 10)
<b>19</b>	<b>881288</b>	BRACKET H-RAIL HINGE RH PLATED
	<b>881290</b>	BRACKET H-RAIL HINGE LH PLATED

# CABINET INTERIOR & EXTERIOR COMPONENTS

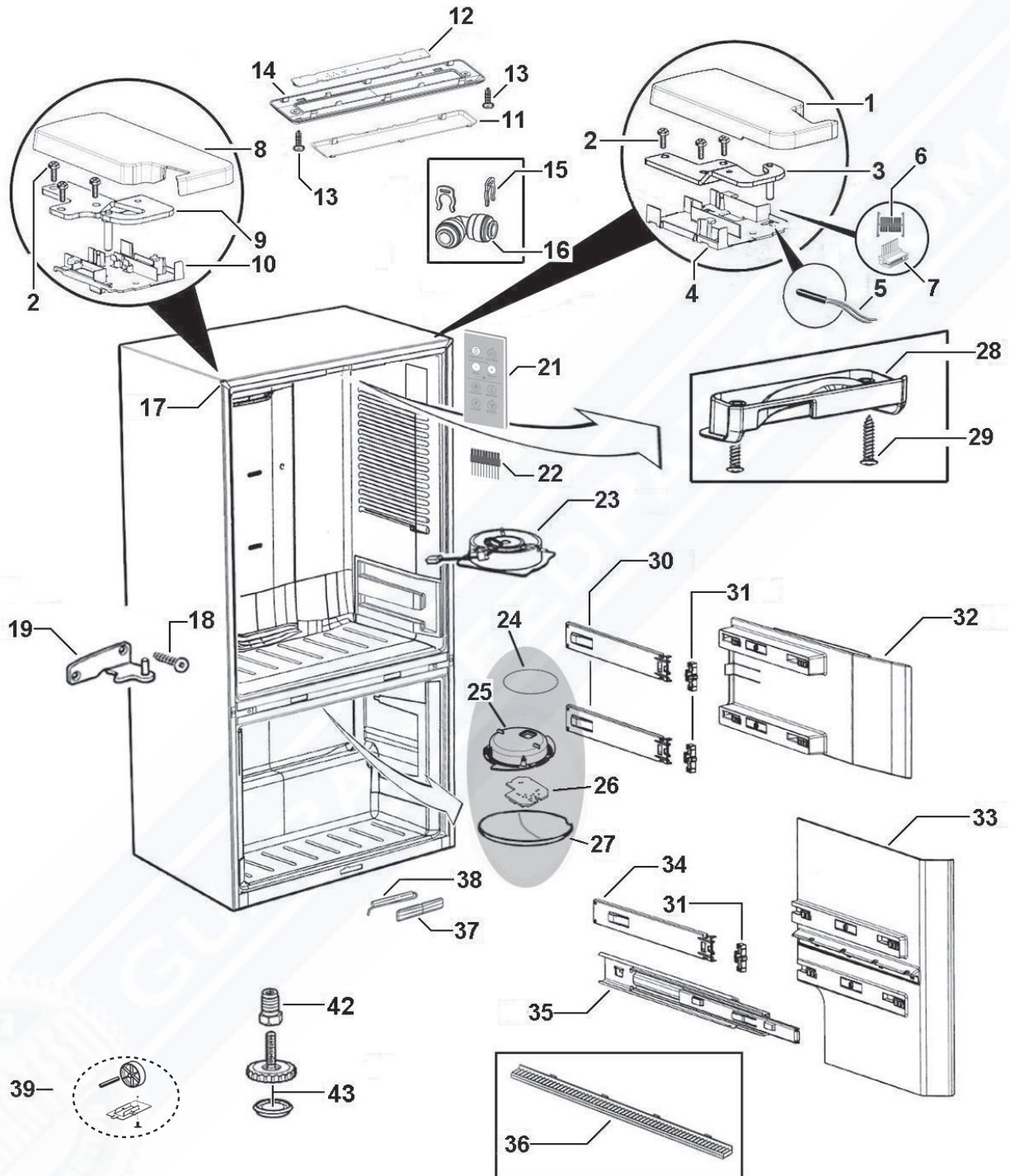


DWG004558

## CABINET INTERIOR & EXTERIOR COMPONENTS

REFERENCE	PART NUMBER	PART DESCRIPTION
<b>21</b>	<b>821286P</b>	MOD DISP AS U2 INT 8 BUT SVC
<b>22</b>	<b>838437</b>	HARNESS DISPLAY SPARES
<b>23</b>	<b>848320P</b>	PC 3W FAN ASSY JST/DCT
	Includes	DUCT JUNCTION ASSY
	Includes	INSULATION DISPLACEMENT TERMINALS
	Includes	CONNECTOR IDC UP2 (2)
	Includes	LABEL WARNING 12 VOLT DC
	Includes	SHEET INSTRUCTION PC FAN ASSY
<b>24</b>	<b>873394</b>	GASKET FOAM LIGHT
<b>25</b>	<b>820733</b>	SINGLE LED HOUSING
<b>26</b>	<b>820732P</b>	MOD LAMP AS SGL LED ROHS
<b>27</b>	<b>875318</b>	COVER LAMP PC 42
<b>28</b>	<b>837096</b>	TRACK FLAPPER CABINET
<b>29</b>	<b>837140P</b>	SCREW 8X22 WAFER PH SS (PKT 10)
<b>30</b>	<b>836700</b>	SLIDE 305 RH ASSEMBLY RC
	Includes 836520P	CLIP SLIDE
	<b>836701</b>	SLIDE 305 LH ASSEMBLY RC
	Includes 836520P	CLIP SLIDE
<b>31</b>	<b>836520P</b>	CLIP SLIDE (PKT 2)
<b>32</b>	<b>836996</b>	RETAINER SLIDE PC 900 RH
	<b>836997</b>	RETAINER SLIDE PC 900 LH
<b>33</b>	<b>836998</b>	RETAINER SLIDE FC 900 RH
	<b>836999</b>	RETAINER SLIDE FC 900 LH
<b>34</b>	<b>836702</b>	SLIDE 355 RH ASSY RC
	Includes 836520P	CLIP SLIDE
	<b>836703</b>	SLIDE 355 LH ASSY RC
	Includes 836520P	CLIP SLIDE
<b>35</b>	<b>838200</b>	SLIDE DRAWER FC MAIN RH
	<b>838199</b>	SLIDE DRAWER FC MAIN LH
<b>36</b>	<b>837047</b>	TRACK ANTI RACKING FC

# CABINET INTERIOR & EXTERIOR COMPONENTS



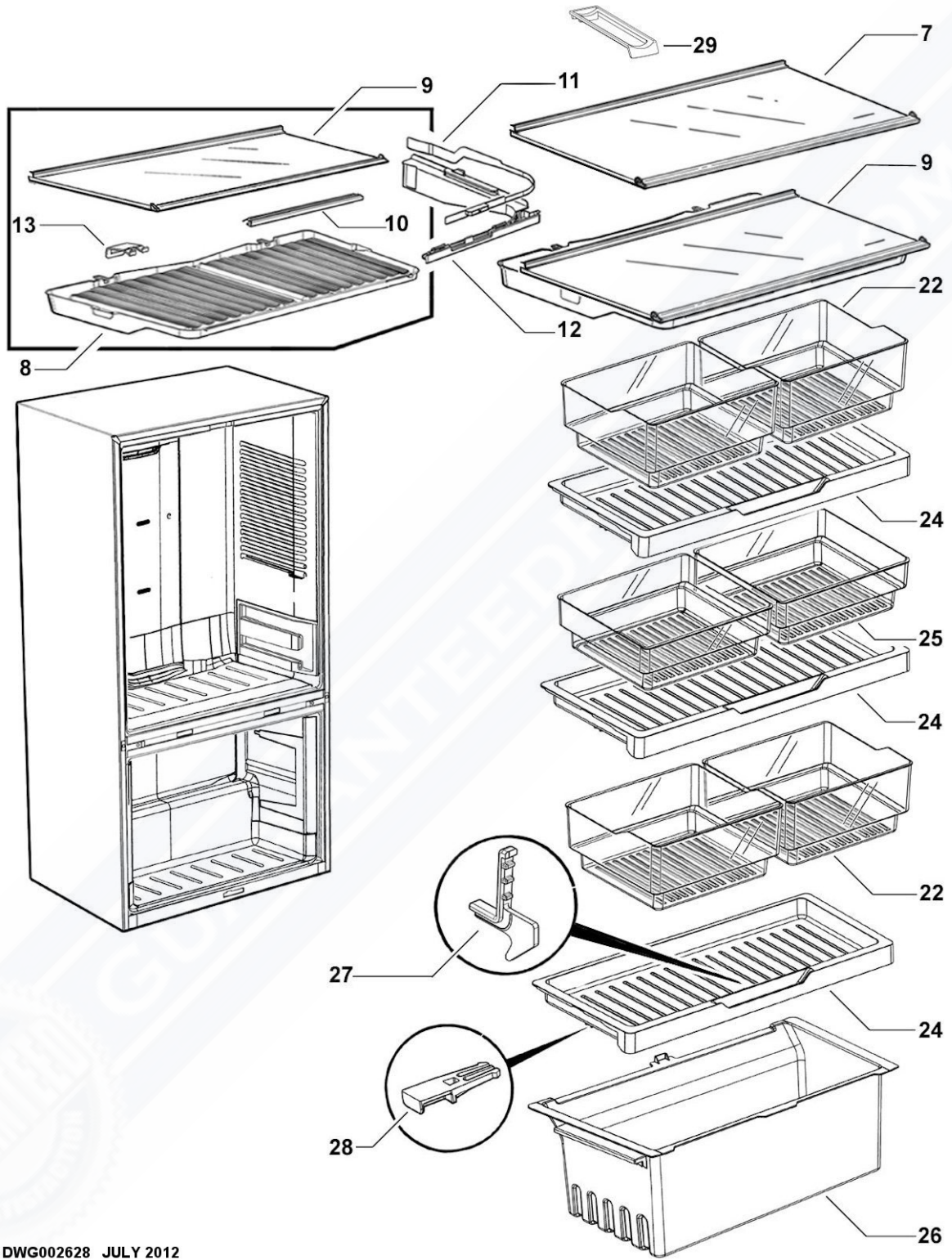
DWG004558



## CABINET INTERIOR & EXTERIOR COMPONENTS

REFERENCE	PART NUMBER	PART DESCRIPTION
<b>37</b>	<b>884011</b>	<b>COVER REED SWITCH ST4 SILVER</b>
<b>38</b>	<b>865214P</b>	<b>MOD HALL SWITCH RF</b>
<b>39</b>	<b>847316P</b>	<b>RETAINER WHEEL STEEL KIT</b>
	Includes	RETAINER WHEEL STEEL
	Includes	SCREW 8-32X8 TY T PAN PH TV
	Includes	ROLLER FOOT FRONT
	Includes	PIN ROLLER PLATED
<b>42</b>	<b>813481</b>	<b>BOLT BLIND END HINGE BRACKET</b>
<b>43</b>	<b>818535</b>	<b>FOOT LEVELLING ASSEMBLY RC</b>
	Includes	WHEEL LEVELLING FOOT ASSY
	Includes	BASE LEVELLING FOOT

# SHELF COMPONENTS



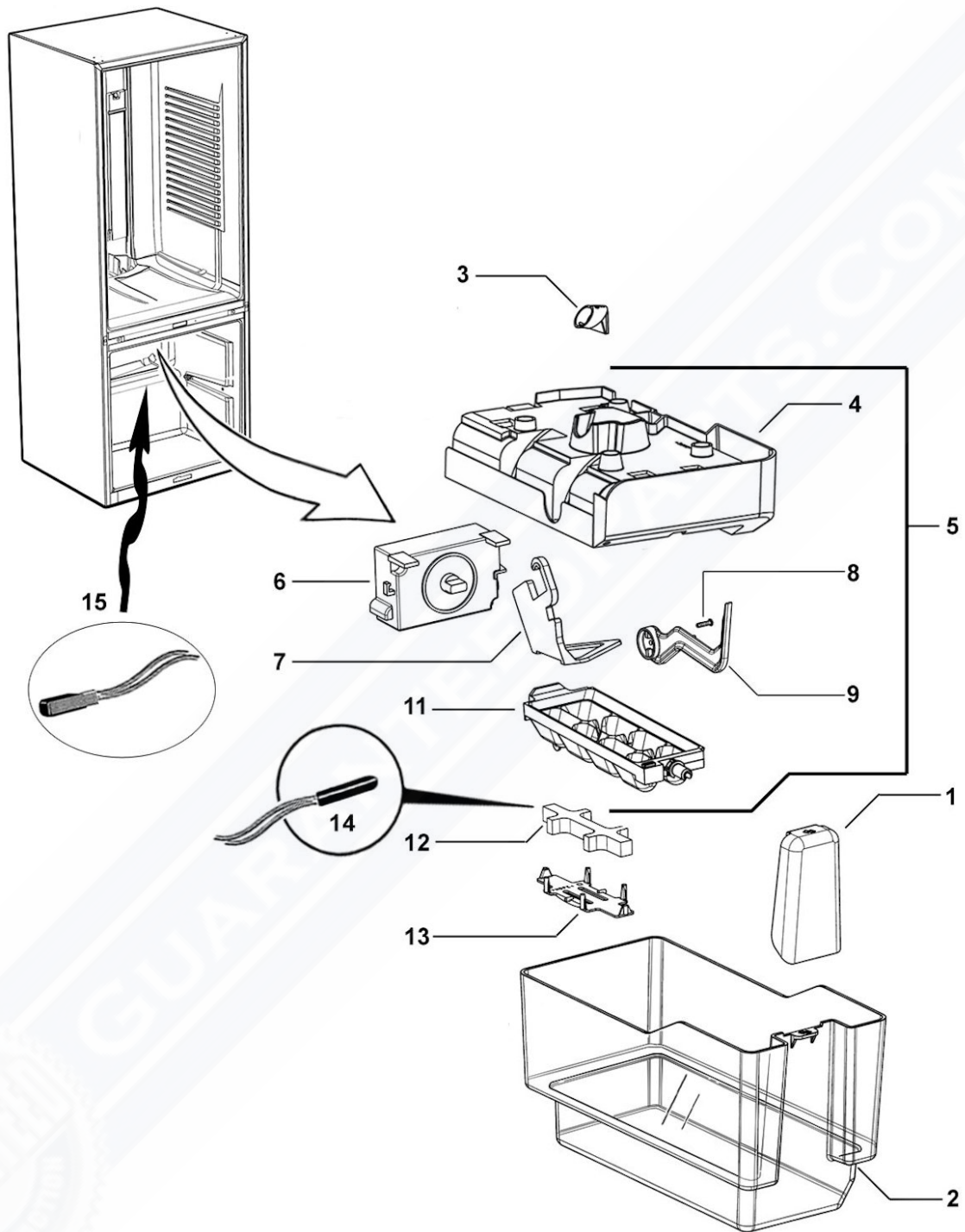
DWG002628 JULY 2012

DWG 002628

## SHELF COMPONENTS

REFERENCE	PART NUMBER	PART DESCRIPTION
<b>7</b>	<b>837117P</b>	<b>SHELF GLASS PC 900 ASSY SC (2)</b>
	Includes 836569	PLUG STIFFENER SHELF RH
	Includes 836570	PLUG STIFFENER SHELF LH
	Includes 836567	PLUG TRIM SHELF RH
	Includes 836568	PLUG TRIM SHELF LH
	Includes	TRIM SHELF PC 900 SC
	Includes	STIFFENER SHELF PC 900 SC
<b>8</b>	<b>836978</b>	<b>LID HUMIDITY CONTROL 900</b>
<b>9</b>	<b>837116P</b>	<b>SHELF GLASS HCL 900B ASSY SC (1)</b>
	Includes 836569	PLUG STIFFENER SHELF RH
	Includes 836570	PLUG STIFFENER SHELF LH
	Includes 836567	PLUG TRIM SHELF RH
	Includes 836568	PLUG TRIM SHELF LH
	Includes 837104	RETAINER HCL FRONT 900 464MM
	Includes	TRIM SHELF HCL 900 SC
	Includes	STIFFENER SHELF PC 900 SC
	Includes 881268	BRACKET HCL SUPPORT B GL SH (2)
	Includes 836978	LID HUMIDITY CONTROL 900
	Includes 836631	SLIDE CONTROL HUMIDITY RH
	Includes 836633	SLIDE CONTROL HUMIDITY LH
	Includes 836632	GUIDE CONTROL HUMIDITY RH
	Includes 836634	GUIDE CONTROL HUMIDITY LH
<b>10</b>	<b>837104</b>	<b>RETAINER HCL FRONT 900 464MM</b>
<b>11</b>	<b>836631</b>	<b>SLIDE CONTROL HUMIDITY RH</b>
	<b>836633</b>	<b>SLIDE CONTROL HUMIDITY LH</b>
<b>12</b>	<b>836632</b>	<b>GUIDE CONTROL HUMIDITY RH</b>
	<b>836634</b>	<b>GUIDE CONTROL HUMIDITY LH</b>
<b>13</b>	<b>881268</b>	<b>BRACKET HCL SUPPORT B GL SH</b>
<b>22</b>	<b>836971</b>	<b>BIN MEDIUM 900</b>
<b>24</b>	<b>836973</b>	<b>TRAY SLIDING 900</b>
<b>25</b>	<b>836970</b>	<b>BIN SMALL 900</b>
<b>26</b>	<b>836995</b>	<b>BIN FC 900</b>
<b>27</b>	<b>819416</b>	<b>HOOK TRAY TO BIN</b>
<b>28</b>	<b>837040</b>	<b>RETAINER SLIDE TRAY</b>
<b>29</b>	<b>860593</b>	<b>BOTTLE HOLDER SINGLE</b>

# ICE MAKER & ICE BIN COMPONENTS



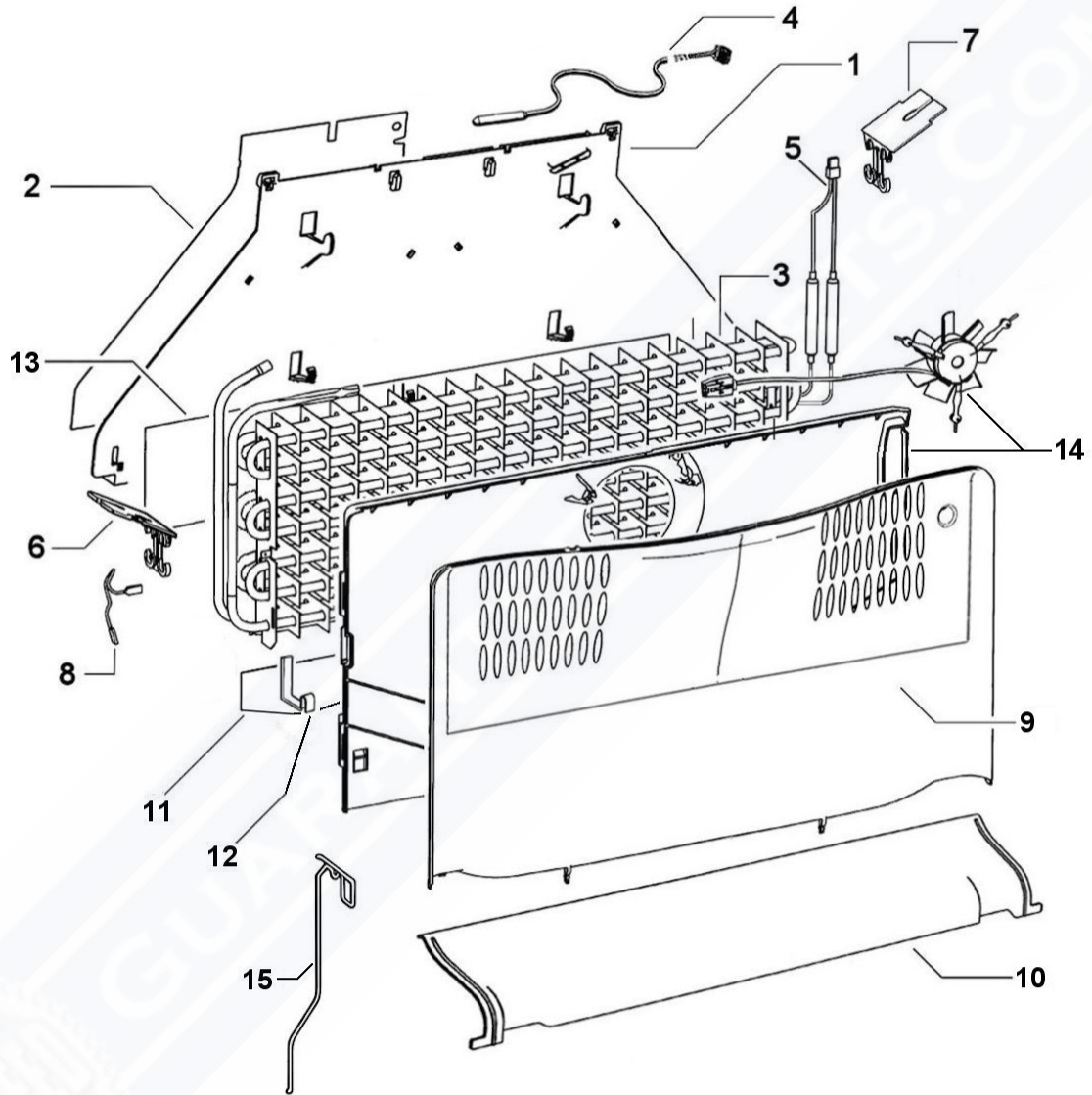
DWG002685 JULY 2012

DWG 002685

## ICE MAKER & ICE BIN COMPONENTS

REFERENCE	PART NUMBER	PART DESCRIPTION
<b>1</b>	<b>836929</b>	SCOOP ICE
<b>2</b>	<b>837030</b>	BIN ICE 900
<b>3</b>	<b>836936</b>	SPIGOT FILL ICE MAKER
<b>4</b>	<b>836915</b>	HOUSING ICE MAKER
<b>5</b>	<b>820833P</b>	ICEMAKER ASSY LARGE
	Includes 820841	ICE TRAY AUTO LARGE
	Includes 836910	LEVER GEAR BOX ICE
	Includes 836915	HOUSING ICE MAKER
	Includes 836934	GEARBOX ICE MAKER
	Includes 836948	SCREW 6X12 PAN PH SS
<b>6</b>	<b>836934</b>	GEARBOX ICE MAKER
<b>7</b>	<b>836912</b>	LEVER BIN DETECT
<b>8</b>	<b>836948P</b>	SCREW 6X1/2 PAN PH SS (PKT 10)
<b>9</b>	<b>836910</b>	LEVER GEAR BOX ICE
<b>11</b>	<b>820841</b>	ICE TRAY AUTO LARGE
<b>12</b>	<b>836909</b>	FOAM CLIP SENSOR
<b>13</b>	<b>837180</b>	CLIP SENSOR ICE TRAY
<b>14</b>	<b>321107</b>	ICE MAKER SENSOR LEAD WIRE KIT
	Includes	SENSOR THERMISTOR ICE MAKER
	Includes	CONNECTOR IDC UY2 - 3MS
<b>15</b>	<b>821689P</b>	ICE FILL TUBE HEATER KIT MK2

# FAN, COVER & EVAPORATOR COMPONENTS



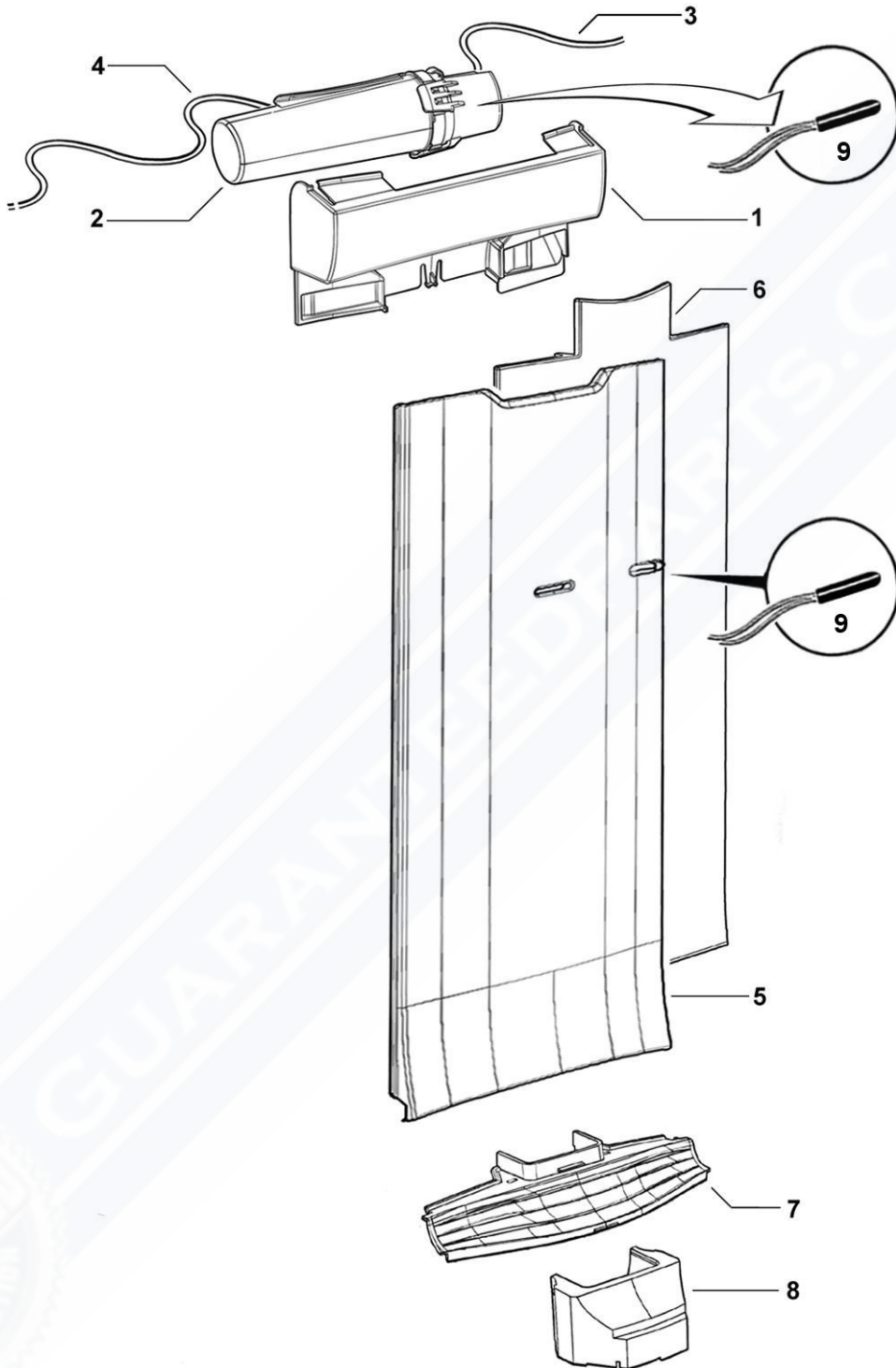
DWG002714 APRIL 2012

DWG 002714

## FAN, COVER & EVAPORATOR COMPONENTS

REFERENCE	PART NUMBER	PART DESCRIPTION
<b>1</b>	<b>814475</b>	<b>CHASSIS EVAP 790B</b>
<b>2</b>	<b>884315</b>	<b>DEFLECTOR HEAT 790B</b>
<b>3</b>	<b>837336P</b>	<b>EVAP ASSY 790B 230V DP</b>
	Includes	EVAPORATOR FINNED 790 R600A
	Includes 814475	CHASSIS EVAP 790B
	Includes 814713	SHIELD EVAP CHASSIS 790B
	Includes 884315	DEFLECTOR HEAT 790B
	Includes 821877	HEATER DEFROST DBLE 230V 790
	Includes 820604	CLIP EVAP BAFFLE
	Includes 813992	CLIP ACTIVE SMART BAFFLE
	Includes 820835	CLIP DEFROST HEATER B SHORT (2)
	Includes 814460	HARNESS EARTH 100MM
	Includes 821255	CABLE TIE 200MMX3.6
<b>4</b>	<b>855203P</b>	<b>SENSOR KIT ASSY ACTV SM</b>
	Includes	HEATSHRINK 25MM
	Includes	HARNESS SENSOR PC
	Includes	CONNECTOR BUTT (2)
	Includes	SHEET INSTRUCTN BUTT CONNECTORS
<b>5</b>	<b>821877</b>	<b>HEATER DEFROST DBLE 230V 790</b>
<b>NI</b>	<b>821745</b>	<b>COVER PLUG TYCO</b>
<b>6</b>	<b>813992</b>	<b>CLIP ACTIVE SMART BAFFLE</b>
<b>7</b>	<b>820604</b>	<b>CLIP EVAP BAFFLE</b>
<b>8</b>	<b>814460</b>	<b>HARNESS EARTH 100MM</b>
<b>9</b>	<b>873395</b>	<b>COVER FAN FC FRONT E790B</b>
<b>10</b>	<b>836595</b>	<b>DUCT RETURN AIR FC 790</b>
<b>11</b>	<b>883783</b>	<b>SHIELD FC REAR COVER 790</b>
<b>12</b>	<b>820835</b>	<b>CLIP DEFOST HEATER B SHORT</b>
<b>13</b>	<b>814713</b>	<b>SHIELD EVAP CHASSIS</b>
<b>14</b>	<b>848316P</b>	<b>FAN FC 3W KIT 790 SERIES A TO</b>
	Includes 880279	SHIELD HEATER FC COVER 790
	Includes	COVER FAN FC REAR 790
	Includes	CONNECTOR IDC UP2 (2)
	Includes	LABEL WARNING 12 VOLT DC
	Includes	FAN DC SUSPENDED FC ASSY
<b>15</b>	<b>821251</b>	<b>WIRE DRAIN HEATER DOUBLE B</b>

# WATER TANK & DUCT COVER COMPONENTS



DWG002822 AUGUST 2012

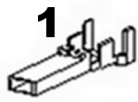
DWG 002822



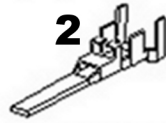
## WATER TANK & DUCT COVER COMPONENTS

REFERENCE	PART NUMBER	PART DESCRIPTION
<b>1</b>	<b>836849</b>	COVER DUCT TOP WATER
<b>2</b>	<b>836846</b>	TANK DISPENSER ASSEMBLY
	Includes	CAP TANK DISPENSER
	Includes	BASE TANK DISPENSER
	Includes	BAFFLE TANK DISPENSER
<b>3</b>	<b>836857</b>	TUBE FILTER WATER 1/4 OD 4M WH
<b>4</b>	<b>837139</b>	TUBE WATER TANK INLET 900
<b>5</b>	<b>837020</b>	COVER DUCT PC 900B
<b>6</b>	<b>837021</b>	INSULATION COVER DUCT 900B
<b>7</b>	<b>813287</b>	GRILLE PC RETURN AIR B MODEL
<b>8</b>	<b>872823</b>	INSULATION INSERT PID
<b>9</b>	<b>855203P</b>	SENSOR KIT ASSY ACTV SM
	Includes	HARNESS SENSOR THERMISTOR PC
	Includes	CONNECTOR BUTT (2)

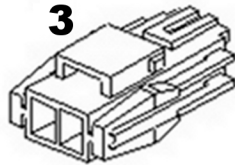
# TERMINAL, PLUGS & SOCKETS



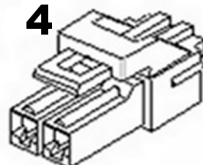
**1**  
JST SOCKET TERMINAL



**2**  
JST PIN TERMINAL



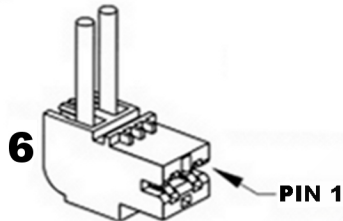
**3**  
JST SOCKET



**4**  
JST PLUG



**5**  
JST RETAINER



**6**  
RAST CONNECTOR



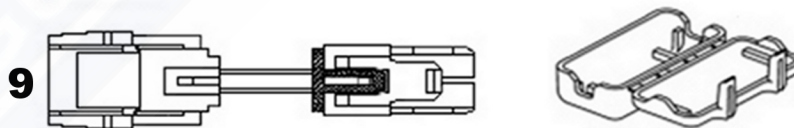
**7**  
RAST CONNECTOR

NOTE THAT IN THE PART NAMES OF THESE CONNECTORS, THE -02- REFERS TO IT BEING A 2 WAY CONNECTOR, AND THE -AB01-(FOR EXAMPLE) REFERS TO THE CODING OF THE CONNECTOR.

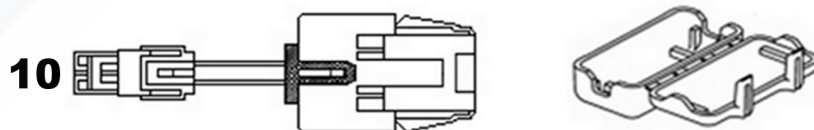


**8**  
RAST CONNECTOR

NOTE: TO MINIMISE THE NUMBER OF SPARE PARTS THAT NEED TO BE CARRIED, THESE CODED CONNECTORS ARE TO BE REPLACED WITH THEIR UNCODED EQUIVALENTS FOR THE 3, 5 AND 6 WAY CONNECTORS USED ON STAGE 4 CABINETS.



**9**  
HARNESS ADAPTOR - JST REC TO MOLEX PLUG



**10**  
HARNESS ADAPTOR - JST PLUG TO MOLEX REC

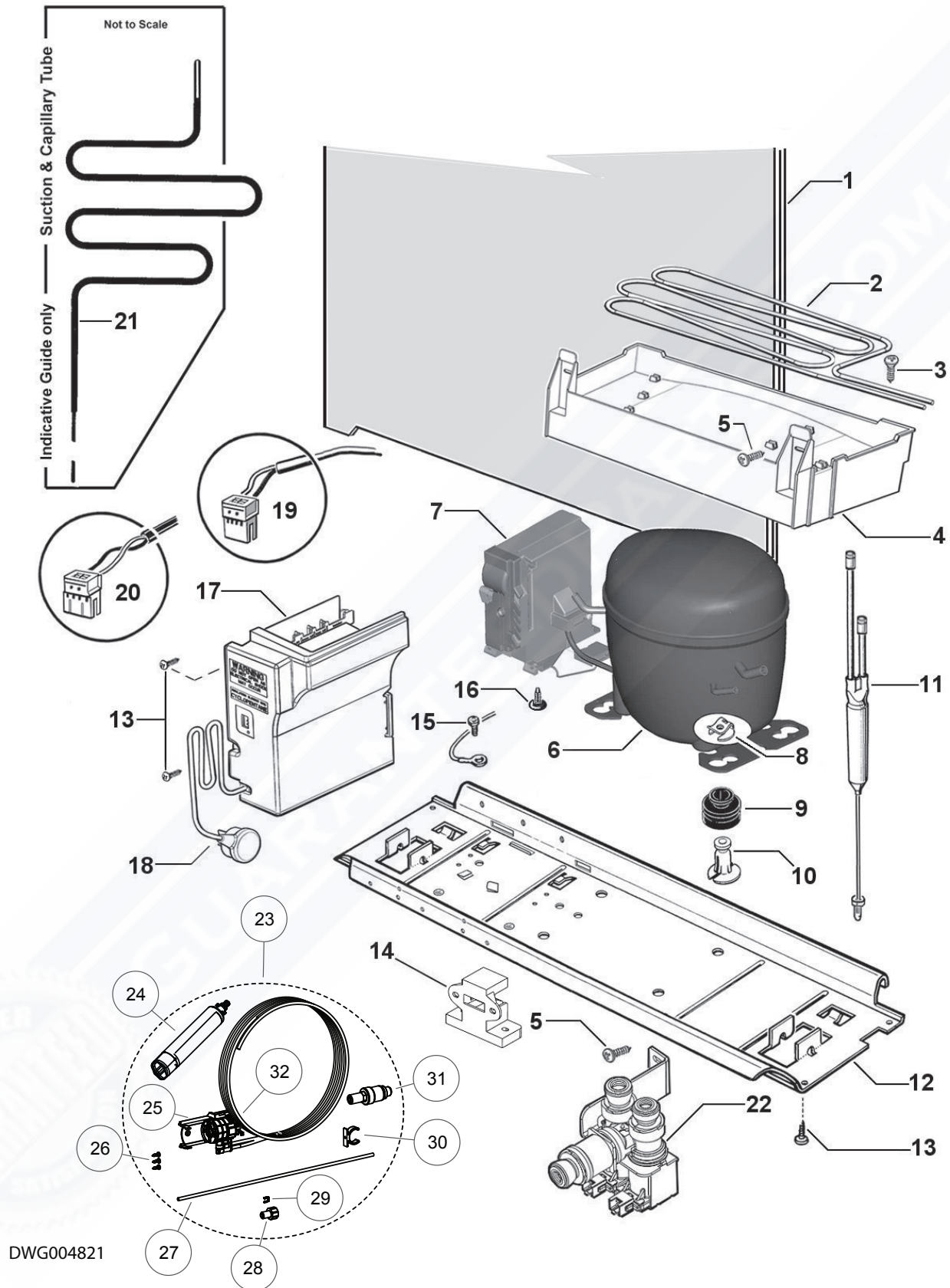
DWG002630 FEBRUARY 2012

## TERMINAL, PLUGS & SOCKETS

REFERENCE	PART NUMBER	PART DESCRIPTION	COMMENTS
1	819607P	TERMINAL SYF-01T PKT 10	26/20 AWG
	819608P	TERMINAL SYF-41T PKT 10	20/16 AWG
2	819609P	PIN/TERM SYM-01T PKT 10	26/20 AWG
	819610P	PIN/TERM SYM-41T PKT 10	20/16 AWG
3	819615	JST SOCKET 2PIN YLR-02V	
	819616	JST SOCKET 3PIN YLR-03V	
	819617	JST SOCKET 4PIN YLR-04V	
	819618	JST SOCKET 6PIN YLR-06VF	
	819619	JST SOCKET 8 PIN YLR-08V	
4	819611	JST PLUG 2PIN YLP-02V	
	819612	JST PLUG 4PIN YLP-04V	
	819613	JST PLUG 6PIN YLP-06V	
	819614	JST PLUG 8PIN YLP-08V	
5	819620	RETAINER 2 WAY YLS-02V	
	819621	RETAINER 3 WAY YLS-03V	
6	881588	CONNECTOR RAST 9290-02-AB01	MAINS CORD
	881589	CONNECTOR RAST 9290-02-BA01	DEFROST HEATER
	881590	CONNECTOR RAST 9290-02-EE01	RUN CAPACITOR
7	881591	CONNECTOR RAST 9290-04-EF02	COMPRESSOR CABLE
8	873251	CONNECTOR RAST 7234-003-500	
	873250	CONNECTOR RAST 7234-004-500	
	881135	CONNECTOR RAST 7234-005-500	
	873247	CONNECTOR RAST 7234-006-500	
	873279	CONNECTOR RAST 7234-008-500	
	873248	CONNECTOR RAST 7234-010-500	
	873243	CONNECTOR RAST 7234-012-500	
	881136	CONNECTOR RAST 7234-014-500	
	881137	CONNECTOR RAST 7234-017-502	
9	820687P	ADAPTOR JST REC TO MOLEX KIT	
	Includes 884412	COVER PLUG MOLEX	
10	820688P	ADAPTOR JST PLUG TO MOLEX KIT	
	Includes 884412	COVER PLUG MOLEX	

**NOTE:** THE NUMBERS IN THE DESCRIPTION OF THE RAST CONNECTOR DENOTES THE NUMBER OF CONNECTIONS - EXAMPLE: 7234-017-502 =17 WAY CONNECTOR

# COMPRESSOR & CONTROL MODULE COMPONENTS



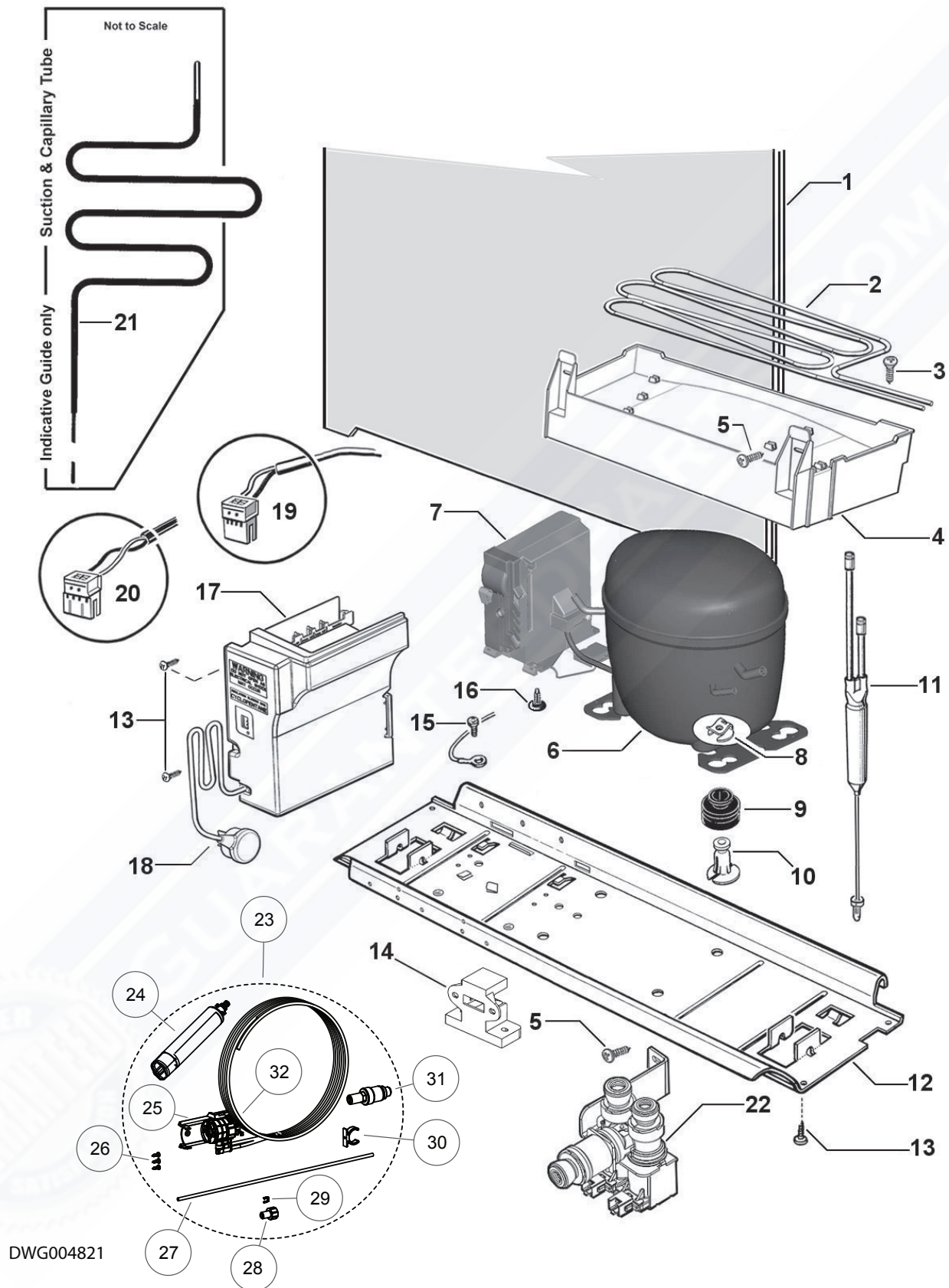
DWG004821

DWG 004821

## COMPRESSOR & CONTROL MODULE COMPONENTS

REFERENCE	PART NUMBER	PART DESCRIPTION
1	374047P	PANEL BACK & COND 900 SHORT ASSY
2	819598	TUBE EVAP TRAY FORMED H/SHRINK
3	815236P	SCREW #12X1/2 CSK PH TV (PKT 10)
4	820734	TRAY EVAP AS
5	817817P	SCREW #8X12 SP PAN NIB ST TV (PKT 10)
6	207426P	COMPR PKD JIAX VNFB16Y 230V
	includes	COMPR JIAX VNFB16Y
	includes	COVER PROTECTOR JIAX VCC
	includes 814843	FILTER PREBRAZED LONG TAIL
	includes	GROMMET COMPR MTG 16.5MM (4)
	includes	POST COMP MOUNTING 16.5MM (4)
	includes	CLIP FOOT COMPRESSOR (4)
7	207427	INVERTER JIAX VNFB16Y 230V
8	855270P	CLIP FOOT COMPRESSOR (PKT 4)
9	849622P	GROMMET 16.5MM KIT 4 PACK
	includes	POST COMP MOUNTING 16.5MM
	includes	GROMMET COMPR MTG 16.5MM
	includes	CLIP FOOT COMPRESSOR
10	NA	REFER TO ITEM #9 - KIT ONLY
11	814843P	FILTER LONG TAIL XH9 12GRM
12	837028	TRAY COMPRESSOR MOUNTING 900
13	817829P	SCREW 8X16 SP PAN NIB TV (PKT 10)
14	880911	BRACKET STABILITY ASSY
15	817828P	SCREW 8-32X8 TY T PAN PH TV (PKT 10)
16	813271	CLIP INVERTER MOUNTING
17	847818P	MOD CNTRL F AS51 120-230V SVC
18	817837	CABLE SUPPLY SING/UK
19	884242	HARNESS VCC SIGNAL
20	884243	HARNESS VCC POWER
21	821258	TUBE SUCT CAP ASSY 5/16 ROHS
22	820718	VALVE ICE WATER 16 WATT

# COMPRESSOR & CONTROL MODULE COMPONENTS



DWG004821

DWG 004821

## COMPRESSOR & CONTROL MODULE COMPONENTS

REFERENCE	PART NUMBER	PART DESCRIPTION
<b>23</b>	<b>848108</b>	<b>KIT INSTALL FILTER WATER GB EU</b>
	includes 821756	VALVE PRESSURE LIMIT 600KPA 85
	includes 847700	CLIP LOCKING I&W
	includes 847200	REFRIGERATOR WATER FILTER
	includes 847312	HEAD FILTER WATER 90 DEG FS
	includes 847480	BRACKET FILTER WATER ASSY
	includes 847613	ADAPTOR TAP 1/4 OD 3/4 BSP
	includes 847848	TUBE FILTER WATER 1/4" 500MM
	includes 611812P	SCREW ST 10X5/8 MSH PAN PKT 10
<b>24</b>	<b>847200</b>	<b>REFRIGERATOR WATER FILTER</b>
<b>25</b>	<b>847480</b>	<b>BRACKET FILTER WATER ASSY</b>
<b>26</b>	<b>611812P</b>	<b>SCREW ST 10X5/8 MSH PAN PKT 10</b>
<b>27</b>	<b>847848</b>	<b>TUBE FILTER WATER 1/4" 500MM</b>
<b>28</b>	<b>847613</b>	<b>ADAPTOR TAP 1/4 OD 3/4 BSP</b>
<b>29</b>	<b>847700</b>	<b>CLIP LOCKING I&amp;W</b>
<b>30</b>	<b>847538</b>	<b>BRACKET WALL PLV</b>
<b>31</b>	<b>821756</b>	<b>VALVE PRESSURE LIMIT 600KPA 85</b>
<b>32</b>	<b>847312</b>	<b>HEAD FILTER WATER 90 DEG FS</b>